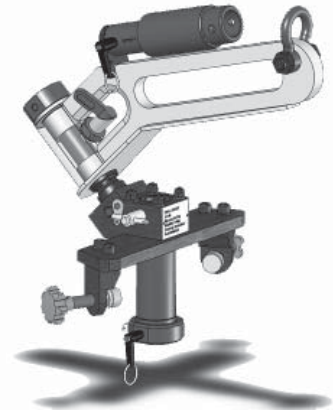




Brake Handling Tool

This tool is used to lift and rotate the brake during removal and installation. Unlike the original tools this development is able to handle different brake types as the following P/N: 2-1577, 2610132, 2613772 . Also it is safer for the mechanic during the handling of the brakes.



CUSTOMER ADVANTAGES

- easy and safe handling from transport position to installation position
- saves time and money
- no damage to carbon brakes during handling
- more safety for the mechanic

Technical data

Use for		all A330 / A340
Weight	kg	16,7
Max. load capacity	kg	170

Contact

Lufthansa LEOS GmbH
 Sales, Marketing & Product Development
 Lufthansa-Basis
 D-60546 Frankfurt/Main
 Germany

Hotline: +49-69-696-8222

Fax: +49-69-696-93888

Email: sales@lufthansa-leos.com

www.lufthansa-leos.com